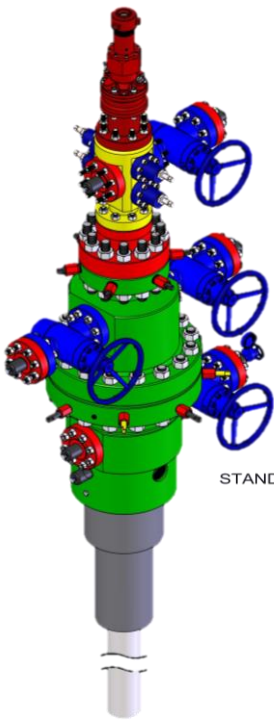
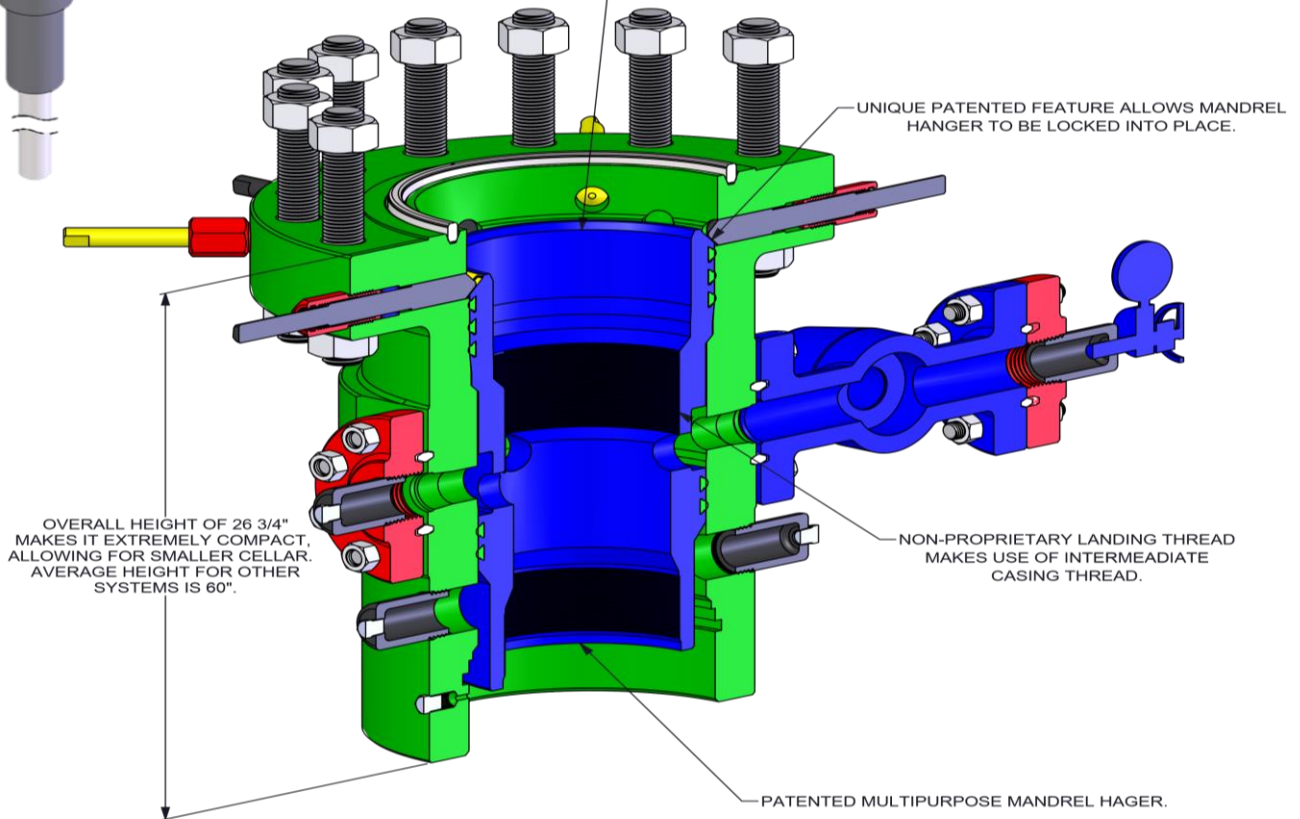


WSI Compact Multi-Bowl System



STANDARD SIZE CASING HANGER BOWL MAKES USE OF READILY AVAILABLE CASING HANGERS.



- 1) Reduced overall height
 - a. Reducing cellar depth
 - b. Reducing safety issues associated with deep cellars
 - c. Reduced overall weight
- 2) Patented Multi-purpose lockable mandrel hanger
 - a. Negates need for proprietary running tools
 - b. Allows use of standard API 6A casing hangers
 - c. One piece design
- 3) Significant time savings over standard API 6A conventional wellhead equipment
 - a. Time savings equals less cost per well (rig time)
 - b. Time savings equals more wells drilled per rig